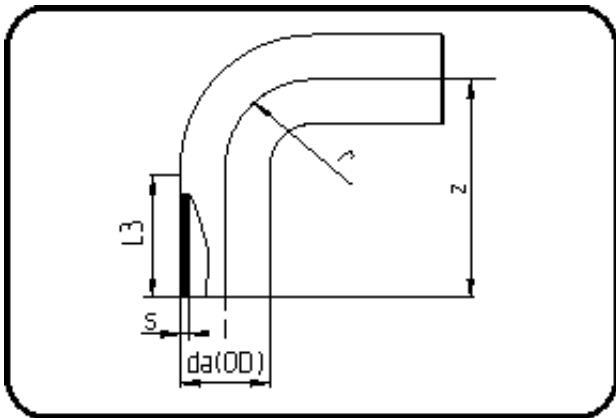


## MULTI Fittings



- **MULTI-Bend 90°**
- long spigot
- injection moulded
- **Butt + E-socket-welding**
- **PPR grey**

Dimension	Code	Detail	Weight
250	11.068.0250.11	250X22,7 SDR11 ISO S-5	10.4

	Unit	Nominale	Tol-	Tol+
da(OD)	mm	250		
s	mm	22,7		
z	mm	389	5	5
r	mm	250		
L3	mm	135		